

Tiny Hardbook SoftPLC™ Processor

Cat. No. HB-TOLA-x

General Description

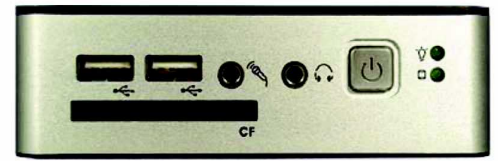
Hardbook SoftPLC's are open architecture controller CPU's that can connect to a wide variety of I/O and communication networks. Hardbook SoftPLC's are customized at the factory to application specific configurations and include hardware assembly, driver installation, system software configuration, and system level testing.

Hardbook SoftPLC models differ only in the discrete I/O capacity (see table). Analog or special purpose module I/O channels allowed are limited only by the selected hardware, not the SoftPLC. For Tealware I/O, allow for 16 discrete points for every 4 analog channels, input or output respectively based on the module type.

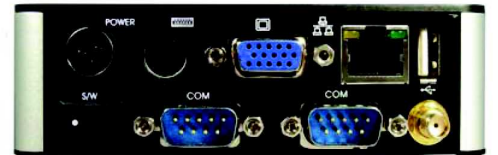
Tiny Hardbook SoftPLC Features

Hardbook SoftPLC's include the rich set of functions provided by SoftPLC Control Software, including:

- ◆ Powerful Ladder Logic instruction set
- ◆ Loadable Instructions for specialized or user-written functions
- ◆ Unlimited user application memory for logic and data table
- ◆ All application documentation resides in the SoftPLC CPU
- ◆ Wide variety of I/O Drivers - ModbusTCP, Tealware™, and many others



Front View



Rear View

- ◆ Communication Drivers - A-B Ethernet, DF1, Modbus serial, ModbusTCP/UDP, others
- ◆ Compatible with all HMI/SCADA products
- ◆ Embedded Gatecraft™ Firewall technology
- ◆ Ladder logic/data table addressing similar to Allen-Bradley PLC-5 / SLC-500 with import / conversions available
- ◆ Ethernet port, (2) Serial, (2) USB communication ports
- ◆ Heavy Duty Metal Enclosure
- ◆ Fanless operation
- ◆ Removable Compact Flash

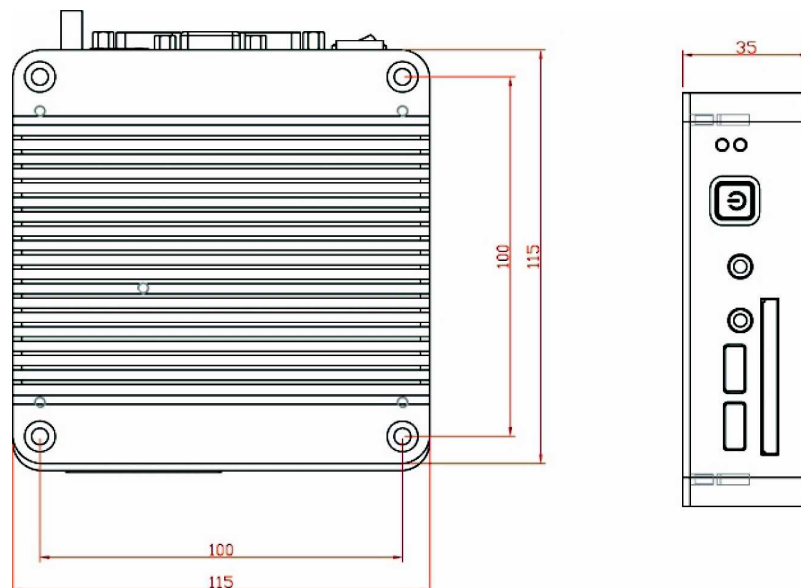
Available Models & I/O Capacities

Catalog Number	Discrete Inputs	Discrete Outputs
HB-TOLA-LT	up to 128	up to 128
HB-TOLA-1K	up to 1024	up to 1024

Tiny Hardbook SoftPLC Specifications

Hardbook HB-T0LA-x Specifications	
System Hardware	
CPU	500MHz
Memory	512MB DDR2 RAM
Storage	128MB removable Industrial Compact Flash card, expandable to 8GB
Expansion/Options	Internal Wireless Modem option
I/O Interfaces	
Ethernet	(1) 10/100MB port, RJ45
Serial	(2) RS-232 ports, 9 pin D-sub
USB	(2) USB 2.0 ports
Power Supply	
Type	External 15W AC Adapter included , (optional) Din Rail Mount Power Supply (ICO-PS2005)
Output Voltage	5VDC
Input	100-240VAC input, 50/60 Hz
Enclosure	
Construction	Heavy Duty Metal, Fanless
Mounting	VESA Mounting Holes
Dimensions(LxWxH)	4.53 x 4.53 x 1.38 in 115 x 115 x 35 mm
Weight (approx.)	1.1 lbs 505 g
Environmental	
Operating Temp	0 ~ 60°C 32 ~ 140°F
Humidity	0 ~ 90%, non-condensing
Standards	CE/FCC/RoHS

Recommended Options	
ICO-PS2005	Din Rail Mount Power Supply, 15W, 5VDC
SPZ-WEB	SoftPLC Embedded Web Server
GCL-x	Gatecraft™ Link Industrial Ethernet Switch
ICO-SSx	Surge Suppression Equipment
TDNG-FN-x	TOPDOC NexGen Development/Maintenance Software



HB-T0LA- x Mounting Diagram
(Dimensions in mm)